

# Eclipse 50

PENDANT



## SPECIFICATION SHEET

### Eclipse 50



#### Model 1670

**Type**  
P Pendant

**Size**

24	24.8" [631mm]
36	36.3" [921mm]
48	47.7" [1211mm]
60	59.1" [1500mm]
72	70.5" [1790mm]
Custom	

#### Wattage <sup>1,2</sup>

Direct <sup>3</sup>	Indirect <sup>4</sup>
<b>24"</b>	
LD 18W (2400lm)	LI 18W (2400lm)
MD 36W (4460lm)	MI 36W (4460lm)
<b>36"</b>	
LD 27W (3600lm)	LI 27W (3600lm)
MD 54W (6685lm)	MI 54W (6685lm)
<b>48"</b>	
LD 36W (4800lm)	LI 36W (4800lm)
MD 72W (8915lm)	MI 72W (8915lm)
<b>60"</b>	
LD 45W (6000lm)	LI 45W (6000lm)
MD 90W (11145lm)	MI 90W (11145lm)
<b>72"</b>	
LD 54W (7200lm)	LI 54W (7200lm)
MD 108W (13375lm)	MI 108W (13375lm)

XD – No Direct      XI – No Indirect

#### Color Temp <sup>5</sup>

30	3000
35	3500
40	4000

#### Voltage

2 220/240 Volt

#### Driver

RD Remote  
ID Integral (in canopy)

#### Control - RD

S Non-dim  
D010 0-10V  
DALI DALI  
SWD SwitchDIM  
X If integral driver is selected

#### Control - ID (in canopy - if selected)

S Non-dim  
D010 0-10V  
DALI DALI  
X If remote driver is selected

#### Diffuser Bottom

SW Satin opal acrylic  
CB Aluminum – painted to match the fixture

#### Diffuser Top

SA Satin clear acrylic  
CT Aluminum – painted to match the fixture

#### Finish <sup>6</sup>

19 Painted anodized aluminum - RAL 9006 matte  
21 Painted white - RAL 9010 matte  
26 Painted black - RAL 9005 matte  
22 Painted custom color

#### Mounting

SCRD Straight cables - remote driver  
SCID Straight cables - driver in canopy  
CERD Center canopy - remote driver  
CEID Center canopy - driver in canopy  
PC Straight power cables - remote driver

#### Circuit

CS Circuit - Single  
CD Circuit - Dual

#### Power Cable <sup>7</sup>

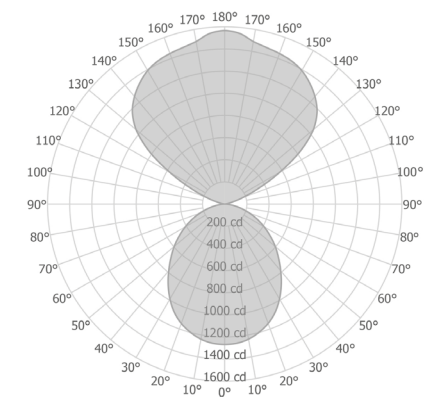
CC Clear insulated cable (standard)  
WC White cable  
BC Black cable

#### Notes

- Nominal lumens value specified
- Linear LED board, constant voltage 24 Volt
- For no Direct light specify XD
- For no Indirect light specify XI
- 90+ CRI standard
- Canopy finish matches housing
- 96" standard cable length

#### Example fixture number:

1670 – P – 24 – LD – LI – 30 – 2 – RD – S – X – SW – SA – 19 – SCRD – CS – CC





# Eclipse 50

## PENDANT

A Direct/Indirect luminaire, the Eclipse 50 will fill any space with light and create a voluminous effect. Eclipse 50 is available in pendant and surface versions with evenly illuminated satin opal lens. Offered in a wide variety of standard diameters and lumen packages.



Size	
24	24.8" [631mm]
36	36.3" [921mm]
48	47.7" [1,211mm]
60	59.1" [1,500mm]
72	70.5" [1,790mm]
Custom	



\* 50mm x 50mm fixture body profile  
\* Straight cables or center canopy mounting options available



# Eclipse 50

PENDANT



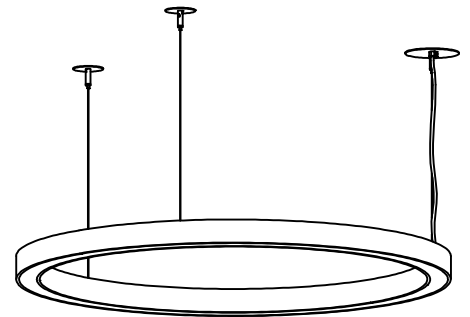
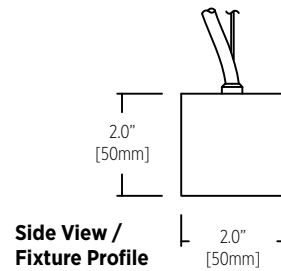
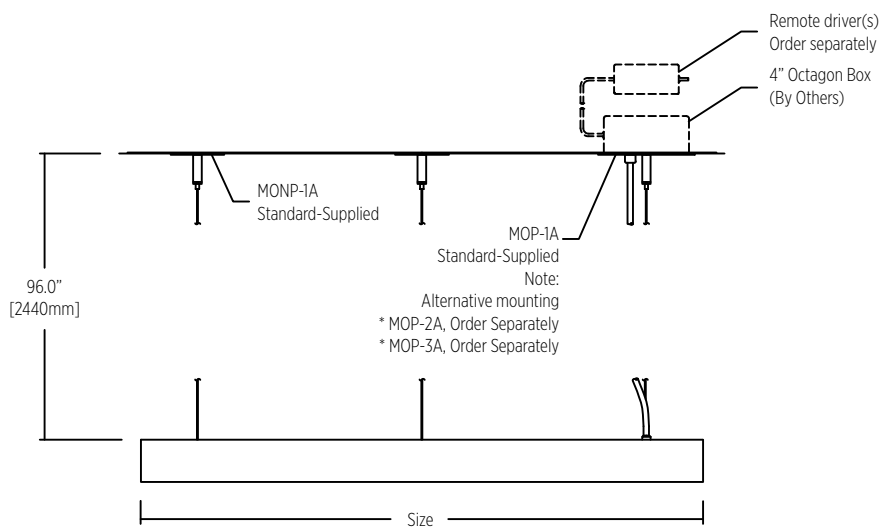
## SPECIFICATION SHEET

Eclipse 50



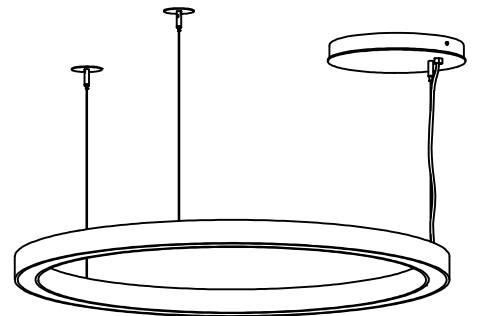
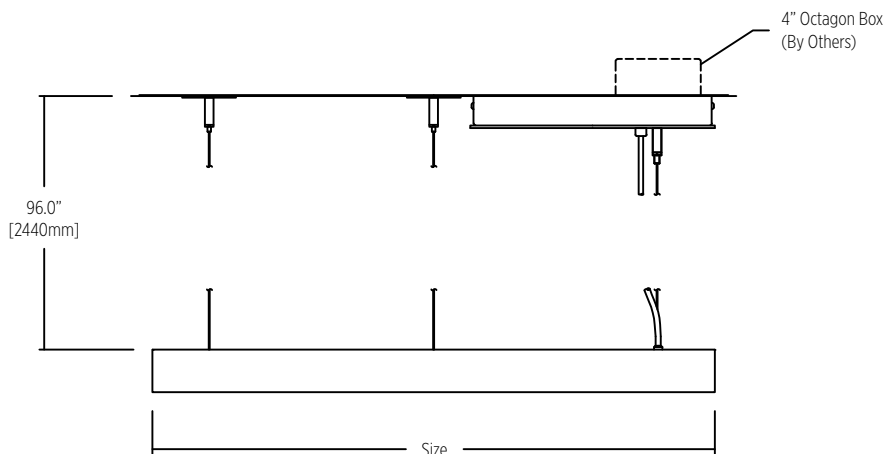
### INSTALLATION TYPE

#### Straight cables with remote driver



**Note:**  
See page 4 & 5 for mounting options

#### Straight cables with surface mounted canopy with integral driver - Order separately



# Eclipse 50

PENDANT

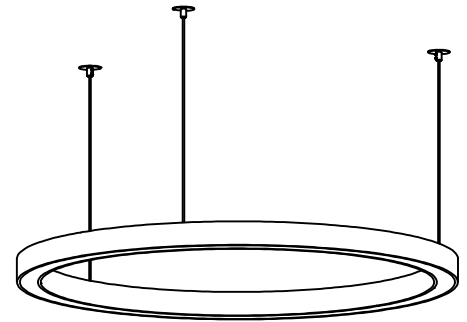
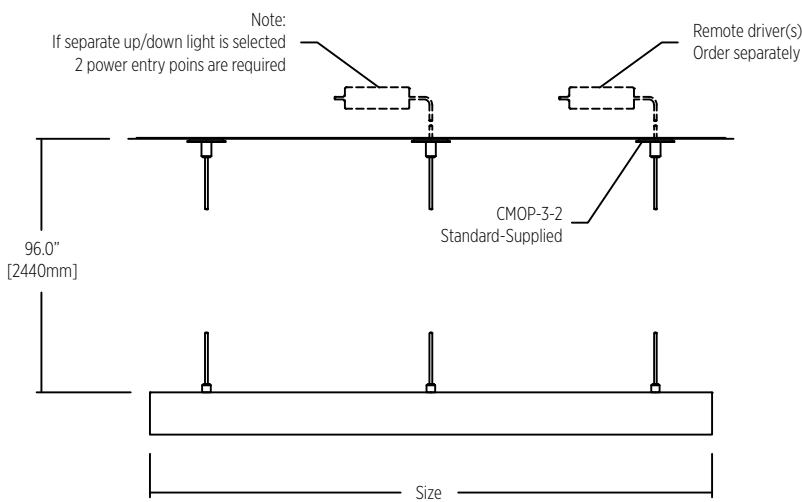


## SPECIFICATION SHEET

Eclipse 50

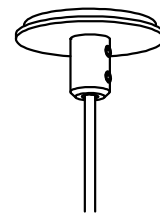
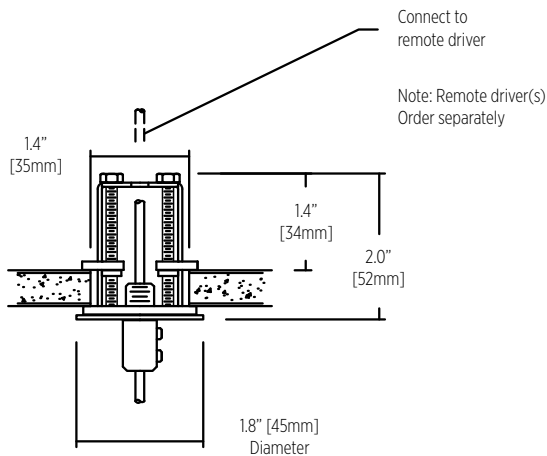


### Straight power cables with remote driver



**Note:**  
See below for mounting options

### CMOP-3-2 Standard - Supplied



Mounting Option Power 3-2  
Suspension Assembly  
Installed in drywall or wood ceiling

# Eclipse 50

PENDANT



## SPECIFICATION SHEET

### Eclipse 50



#### Center canopy with remote driver

Remote driver(s)  
Order separately

4" Octagon Box  
(By Others)

**Center canopy**  
**5.9" [150mm] Dia. x 0.9" [22mm] deep**

Fixture mounts directly to 4" octagon box - supplied and installed by others

\*\* Provided with 96" [2440mm] suspension and power cords

Size

#### Center canopy with integral driver

4" Octagon Box  
(By Others)

**Center canopy with integral driver**  
**12" [305mm] Dia. x 1.9" [49mm] deep**

Canopy mounts directly to the ceiling. Mounting hardware provided.

Optional mounting holes for 4" octagon box - provided. 4" octagon box - supplied and installed by others.

\*\* Provided with 96" [2440mm] suspension and power cords

Size

#### Minimum mounting height per fixture size for center canopy options:

Fixture Size (Diameter)	Minimum Mounting Height
24" [631mm]	15" [380mm]
36" [921mm]	20" [510mm]
48" [1,211mm]	30" [760mm]
60" [1,500mm]	40" [1,015mm]
72" [1,790mm]	50" [1,270mm]

# Eclipse 50

PENDANT

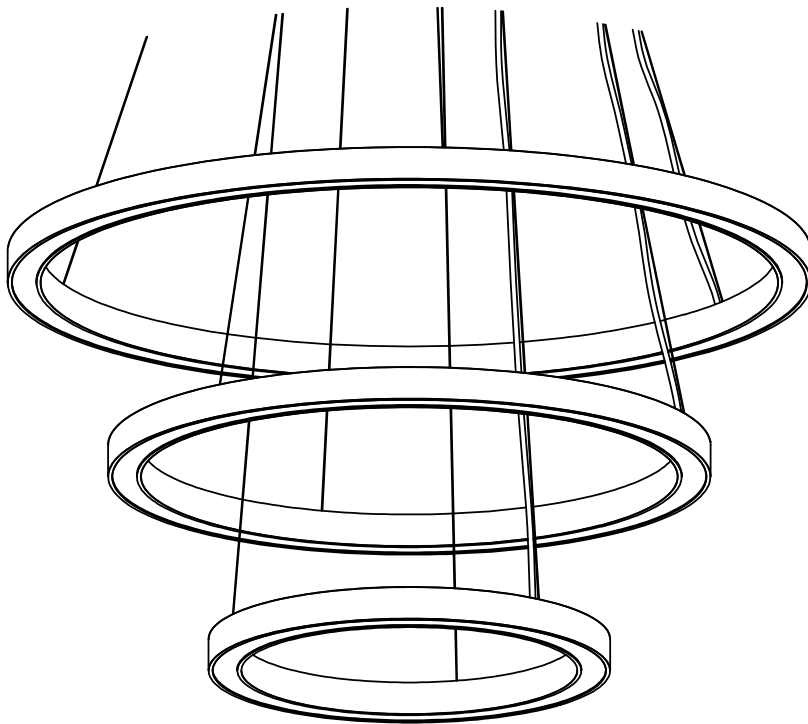


## SPECIFICATION SHEET

Eclipse 50

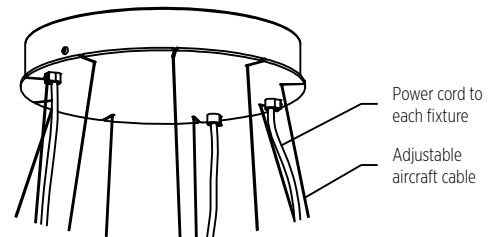


### Multiple configuration



#### Multiple fixture cluster

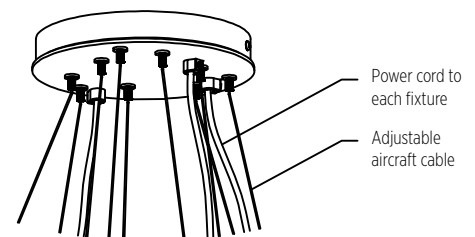
Please advise number of fixtures, size and suspension length for each fixture



#### Center canopy with integral driver 12" [305mm] Dia. x 1.9" [49mm] deep

Canopy mounts directly to the ceiling. Mounting hardware provided.

Optional mounting holes for 4" octagon box - provided. 4" octagon box - supplied and installed by others.



#### Center canopy with remote driver 7.5" [190mm] Dia. x 1.1" [28mm] deep

Canopy mounts directly to the ceiling. Mounting hardware provided.

Optional mounting holes for 4" octagon box - provided. 4" octagon box - supplied and installed by others.

# Eclipse 50

PENDANT



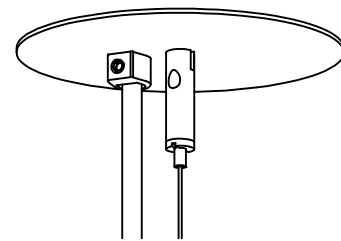
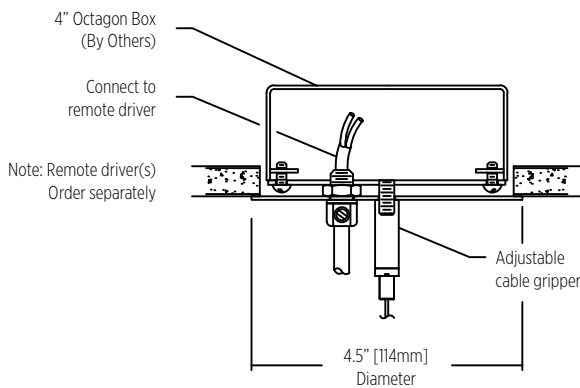
## SPECIFICATION SHEET

Eclipse 50



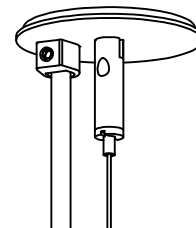
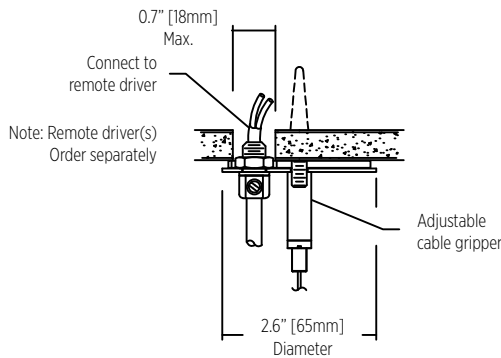
### STRAIGHT CABLES MOUNTING OPTION - POWER

#### MOP-1A Standard - Supplied



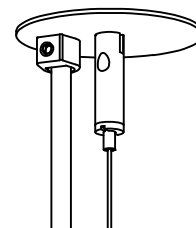
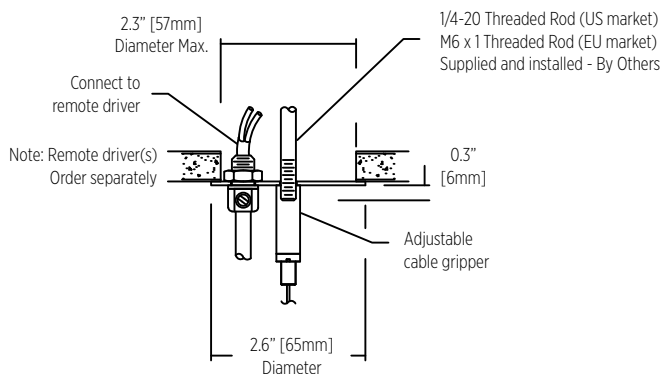
Mounting Option Power 1A  
Octagon Box (By Others)  
Installed in drywall, wood or concrete ceiling

#### MOP-2A-1 Order Separately



Mounting Option Power 2A-1  
Suspension assembly  
Installed in drywall or wood ceiling

#### MOP-2A-2 Order Separately



Mounting Option Power 2A-2  
Suspension assembly  
Installed in drywall or wood ceiling

# Eclipse 50

PENDANT

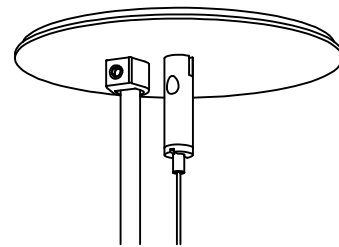
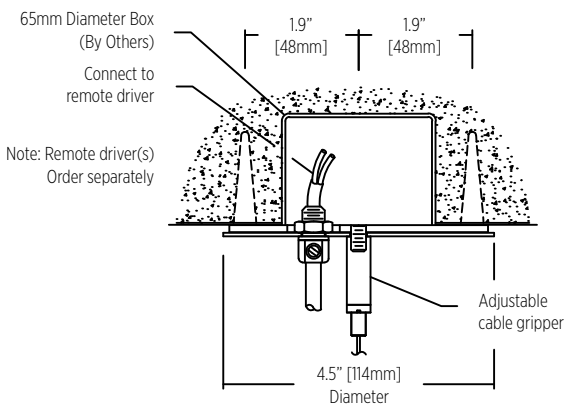


## SPECIFICATION SHEET

### Eclipse 50



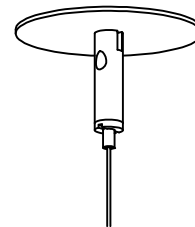
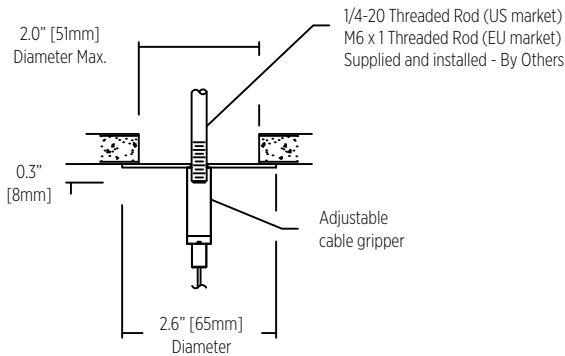
#### MOP-3A Order Separately



Mounting Option Power 3A  
65mm Diameter Box (By Others)  
Installed in drywall, wood or concrete ceiling

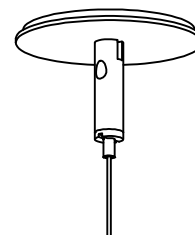
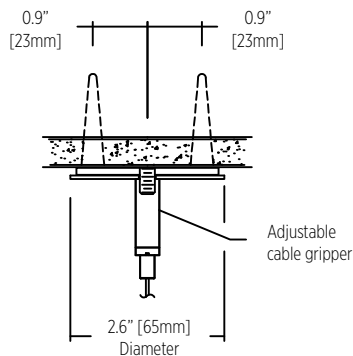
#### STRAIGHT CABLES MOUNTING OPTION - NON POWER

#### MONP-1A-1 Standard - Supplied



Mounting Option - Non Power  
Threaded Rod installed  
to structural ceiling (By Others)

#### MONP-1A-2 Alternative - Supplied



Mounting Option - Non Power  
Suspension Assembly  
Installed in drywall, wood or concrete ceiling